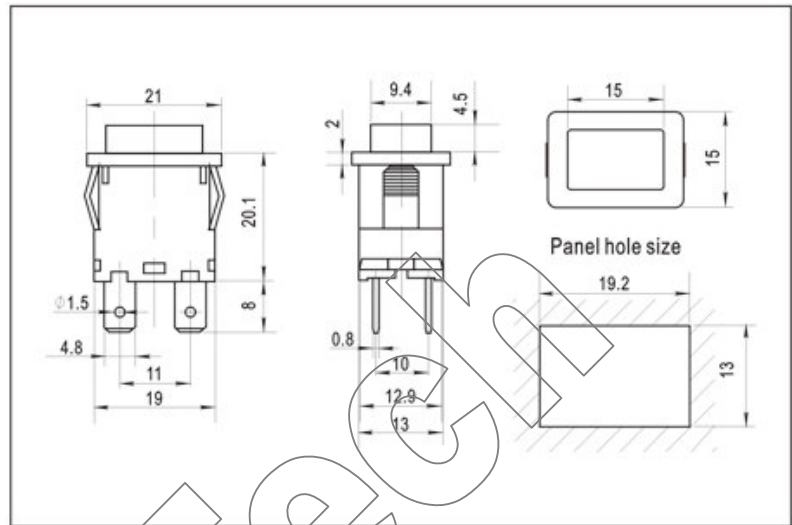


Push Switch (PSL-6 Series)



SPECIFICATIONS

16 (4) A 250VAC T125/55
 10 (2) A 250VAC 5E4
 15A 125VAC
 1/2HP 250VAC
ROHS Compliance



EXPLANATION MODEL NUMBER

PSL - 6 - 21 - A - 0 - RE/BK - P4

